

इंटरनेट

मानक

### Disclosure to Promote the Right To Information

Whereas the Parliament of India has set out to provide a practical regime of right to information for citizens to secure access to information under the control of public authorities, in order to promote transparency and accountability in the working of every public authority, and whereas the attached publication of the Bureau of Indian Standards is of particular interest to the public, particularly disadvantaged communities and those engaged in the pursuit of education and knowledge, the attached public safety standard is made available to promote the timely dissemination of this information in an accurate manner to the public.

“जानने का अधिकार, जीने का अधिकार”

Mazdoor Kisan Shakti Sangathan

“The Right to Information, The Right to Live”

“पुराने को छोड़ नये के तरफ”

Jawaharlal Nehru

“Step Out From the Old to the New”

IS 2016 (1967): Plain Washers [PGD 31: Bolts, Nuts and Fasteners Accessories]



“ज्ञान से एक नये भारत का निर्माण”

Satyanarayan Gangaram Pitroda

“Invent a New India Using Knowledge”



“ज्ञान एक ऐसा खजाना है जो कभी चुराया नहीं जा सकता है”

Bhartrhari—Nitiśatakam

“Knowledge is such a treasure which cannot be stolen”



BLANK PAGE



IS : 2016 - 1967  
( Reaffirmed 2001 )

*Indian Standard*  
SPECIFICATION FOR  
PLAIN WASHERS  
*( First Revision )*

---

Thirteenth Reprint SEPTEMBER 2001  
( Incorporating Amendment No 1 )

UDC 621.882.4

© Copyright 1972

**BUREAU OF INDIAN STANDARDS**  
MANAK BHAVAN, 9 BAHADUR SHAH ZAFAR MARG  
NEW DELHI 110002

# Indian Standard

## SPECIFICATION FOR PLAIN WASHERS

### ( First Revision )

Screw Threads and Fasteners Sectional Committee, EDC 27

<i>Chairman</i>	<i>Representing</i>
SHRI T. C. PANT	Research Designs & Standards Organization ( Ministry of Railways )
<i>Members</i>	
SHRI C. M. MALIK ( <i>Alternate to</i> Shri T. C. Pant )	Ministry of Defence ( DGI )
COL J. P. ANTHONY	Machine Tool Prototype Factory, Directorate General of Ordnance Factories, Ambernath
SHRI S. C. GHOSH ( <i>Alternate</i> )	Directorate of Inspector ( Vehicles ), Ministry of Defence ( DGI )
SHRI R. M. APTE	Tata Engineering & Locomotive Co Ltd, Jamshedpur
MAJ I. J. S. BASI	Heavy Electricals ( India ) Ltd, Bhopal Hindustan Machine Tools Ltd, Bangalore
SHRI D. R. MALIK ( <i>Alternate</i> )	Indian Navy
SHRI B. S. BHAGOWALIA	Ministry of Defence ( R & D ) Hindustan Aeronautics Ltd, Bangalore
SHRI S. K. BHATIA	Indian Telephone Industries Ltd, Bangalore
SHRI R. S. BIR	Kirloskar Brothers Ltd, Kirloskarvadi
SHRI M. RANGASHAI ( <i>Alternate</i> )	All India Manufacturers' Organization, Bombay
DEPUTY DIRECTOR OF MARINE ENGINEERING	Guest, Keen, Williams, Ltd, Calcutta
LT-COL H. K. DHAM	Bharat Electronics Ltd, Bangalore
DR V. M. GHATAGE	The Institution of Engineers ( India ), Calcutta
SHRI B. R. SAMPATHKUMARAN ( <i>Alternate</i> )	Office of the Development Commissioner for Small Scale Industries ( Ministry of Industrial Development & Company Affairs )
SHRI B. GOVINDARAJ	
SHRI D. A. CHELLIAH ( <i>Alternate</i> )	
SHRI N. V. HEBALKAR	
SHRI B. D. KAPUR	
SHRI V. KAPUR	
SHRI DILIP PAUL ( <i>Alternate</i> )	
SHRI M. N. KESARI	
SHRI K. GÜRURAJA ( <i>Alternate</i> )	
MR S. P. LUTHRA	
SHRI D. MAJUMDAR	
SHRI G. B. JAKETIA ( <i>Alternate</i> )	

( Continued on page 2 )

**IS : 2016 - 1967**

( *Continued from page 1* )

<i>Members</i>	<i>Representing</i>
SHRI S. D. MAJUMDAR	National Test House, Calcutta
SHRI R. N. MALLICK	Directorate General of Technical Development ( Ministry of Industrial Development & Company Affairs )
SHRI R. S. MATHUR	Engineering Association of India, Calcutta
SHRI S. K. MANIKTALA ( <i>Alternate</i> )	
SHRI P. S. NAGASUNDARAM	Directorate of Technical Development & Production ( Air ) ( Ministry of Defence )
SHRI K. S. PATEL	Jyoti Ltd, Baroda
SHRI PREM PRAKASH	National Physical Laboratory ( CSIR ), New Delhi
SHRI P. C. JAIN ( <i>Alternate</i> )	
SHRI S. RAMAMRITHAM	Directorate General of Civil Aviation ( Ministry of Tourism & Civil Aviation )
SHRI P. R. CHANDRASEKHAR ( <i>Alternate</i> )	
SHRI T. S. S. RAO	The Cycle Manufacturers' Association of India, Calcutta
SHRI J. C. BRADLEY ( <i>Alternate</i> )	
SHRI S. SHIVANANDA SWAMY	New Government Electric Factory, Bangalore
SHRI H. F. WAGNER ( <i>Alternate</i> )	
SHRI S. S. THAKUR	Directorate General of Supplies & Disposals ( Minis- try of Works, Housing & Supply )
SHRI D. V. VIRMANI	Industrial Fasteners' Association of India, Calcutta
SHRI M. V. PATANKAR, Director ( Mech Engg )	Director General, ISI ( <i>Ex-officio Member</i> )
	<i>Secretary</i>
	SHRI S. CHANDRASEKHARAN
	Deputy Director ( Mech Engg ), ISI

**Bolts and Nuts for General Engineering Purposes Subcommittee,  
EDC 27 : 3**

<i>Convener</i>	
SHRI R. S. BIR	Hindustan Machine Tools Ltd, Bangalore
	<i>Members</i>
SHRI M. RANGASHAI ( <i>Alternate to</i> Shri R. S. Bir )	
SHRI S. K. BHATTIA	Heavy Electricals ( India ) Ltd, Bhopal
LT-COL H. K. DHAM	Ministry of Defence ( R & D )
SHRI D. S. GABBI	Research Designs & Standards Organization ( Ministry of Railways )
SHRI V. KAPUR	Guest. Keen, Williams, Ltd, Calcutta
SHRI DILIP PAUL ( <i>Alternate</i> )	
SHRI M. M. MURARKA	Engineering Association of India, Calcutta
SHRI N. V. MESWANI ( <i>Alternate</i> )	
SHRI R. S. THAPA	Forbes Forbes Campbell & Co Ltd, Bombay
SHRI J. P. PALKHIVALA ( <i>Alternate</i> )	

**AMENDMENT NO. 2    MARCH 1979**  
**TO**  
**IS : 2016-1967 SPECIFICATION FOR**  
**PLAIN WASHERS**  
**( *First Revision* )**

**Alterations**

[ *Page 4, clause 4.2 ( see also Amendment No. 1 )* — Substitute the following for the existing clause:

**‘4.2 The other dimensional requirements for punched washers covered in Tables 2 and 3 shall comply with those specified for ordinary washers according to IS : 5369-1975\*.’**

( *Page 4, foot-note with ‘ \* ’ mark* ) — Substitute the following for the existing foot-note:

**‘\*General requirements for plain washers and lock washers (*first revision* ).’**

( *Page 5, clauses 6 and 6.1* ) — Substitute the following for the existing clauses:

**‘6. GENERAL REQUIREMENTS**

**6.1 In respect of requirements not covered in this standard, machined and punched washers shall comply with requirements specified for precision and ordinary washers, respectively, according to IS : 5369-1975\*.’**

**Addendum**

( *Page 5, foot-note* ) — Add the following new foot-note at the end:

**‘\*General requirements for plain washers and lock washers (*first revision* ).’**

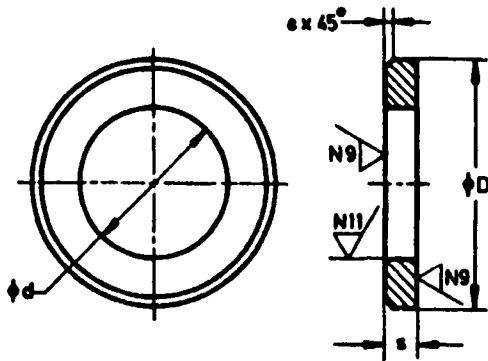
(EDC 27)

AMENDMENT NO. 3 NOVEMBER 1980  
TO  
IS:2016-1967 SPECIFICATION FOR PLAIN WASHERS

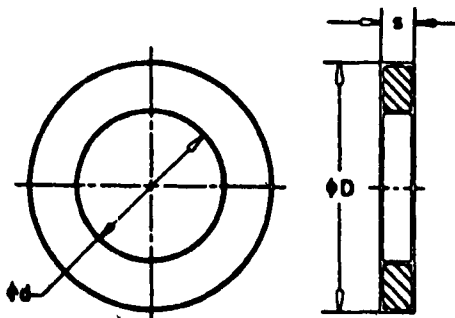
*(First Revision)*

Alterations

*(Page 6, Table 1, figure)* - Substitute the following for the existing figure:



*(Page 10, Table 2, figure)* - Substitute the following for the existing figure:





## Addendum

(Page 4, clause 4.2) - Add the following new clause after 4.2:

"4.3 Machined and punched washers shall conform to the concentricity tolerance, permissible deviations for parallelism and flatness as specified in IS:5369-1975 'General requirements for plain washers and lock washers (first revision)'."

(EDC 27)

AMENDMENT NO. 4    OCTOBER 1982

TO

IS:2016-1967    SPECIFICATION FOR PLAIN WASHERS

*(First Revision)*

Alterations

[Page 4, clause 4.2 (see also Amendment No. 2)] -  
Substitute the following for the existing clause:

"4.2 The tolerance on inner diameter,  $d$  outer diameter,  $D$  and thickness  $s$  for machined and punched washers shall conform to precision and ordinary washers respectively as specified in IS:5369-1975 'General Requirements for Plain Washers and Lock Washers'."

[Page 4, clause 4.3 (see also Amendment No. 3)] -  
Substitute the following for the existing clause:

'4.3 In respect of concentricity tolerance, permissible deviations for parallelism and flatness, the machined and punched washers shall conform to precision and ordinary washers respectively as specified in IS:5369-1975.'

*(Pages 6 to 9, Table 1):*

- a) *First column heading* - Delete 'H12\*'.  
b) *Columns under 'D' and 's'* - Delete.  
c) *Foot-note with '\*' mark* - Delete.

(EDC 27)

*Indian Standard*  
SPECIFICATION FOR  
PLAIN WASHERS  
( *First Revision* )

0. FOREWORD

**0.1** This Indian Standard ( First Revision ) was adopted by the Indian Standards Institution on 9 November 1967, after the draft finalized by the Screw Threads and Fasteners Sectional Committee had been approved by the Mechanical Engineering Division Council.

**0.2** This standard was originally issued in 1962. This revision incorporates the decision taken by the ISO/TC 2 Bolts, Nuts and Accessories.

**0.3** This standard is based on:

Draft ISO Recommendation No. 940 Washers for hexagon bolts and nuts, metric series. International Organization for Standardization.

Doc: ISO/TC 2 ( Secretariat-184 ) 302 First draft proposal for washers for hexagon bolts and nuts — metric series — 42 up to and including 150 mm thread diameter. International Organization for Standardization.

Doc: ISO/TC 2 ( Secretariat-194 ) 326 First draft proposal for washers for cheese head screws — metric series — 1 up to and including 20 mm thread diameter. International Organization for Standardization.

DIN 125-1943 Scheiben für Sechskantschrauben und Muttern ( Washers for hexagon bolts and nuts ). Deutscher Normenausschuss.

**0.4** For the purpose of deciding whether a particular requirement of this standard is complied with, the final value, observed or calculated, expressing the result of a test, shall be rounded off in accordance with IS : 2-1960\*. The number of significant places retained in the rounded off value should be the same as that of the specified value in this standard.

---

\*Rules for rounding off numerical values ( *revised* ).

## **1. SCOPE**

**1.1** This standard lays down the requirements for plain washers of the following types:

- a) Machined washers, for precision and semi-precision grade of general purpose bolts and screws, in the diameter range 1·7 to 155 mm;
- b) Punched washers, type A, for black grade general purpose bolts and screws, in the diameter range 1·8 to 52 mm; and
- c) Punched washers, type B, for slotted head screws in the diameter range 1·8 to 22 mm.

## **2. MANUFACTURE**

**2.1 Material** — Washers shall be made of steel, brass, aluminium or any other suitable metal specified by the purchaser.

**2.2 Workmanship** — The washers shall be free from cracks, burrs, pits and other defects. The holes shall be reasonably concentric with the outer periphery. All sharp edges shall be removed.

## **3. DESIGNATION**

**3.1** A washer shall be designated by name, type, size, number of this standard and material.

*Examples:*

- a) A machined washer of size 10·5 mm made of brass shall be designated as:

Machined Washer 10·5 IS : 2016-Brass

- b) A punched washer, Type B of size 14 mm made of brass shall be designated as:

Punched Washer B14 IS : 2016-Brass

## **4. DIMENSIONS**

**4.1** The dimensions for machined washers, punched washers, types A and B, shall be as given in Tables 1, 2 and 3 respectively ( *see* P 6 to 11 ). These tables also give the size of bolt or screw for which the washers are suitable.

**4.2** The other dimensional requirements for punched washers covered in Tables 2 and 3 shall be as given in IS : 5369-1969\*.

---

\*General requirements for plain washers and lock washers.

## **5. FINISH**

**5.1** The plain washers shall be supplied in natural finish unless otherwise specified by the purchaser. At the request of the purchaser, washers may be phosphate coated, nickel plated, tinned, galvanized, copper plated, cadmium plated, etc. The properties of the plain washers shall not, however, be impaired by the protective coating specified by the purchaser.

## **6. PACKING**

**6.1** The plain washers may be packed as recommended below:

Sizes up to 10.5 mm	In boxes of 1 000 pieces
Sizes from 13 to 19 mm	In boxes of 500 pieces
Sizes 21 mm and above	In boxes of 100 pieces.

The plain washers may also be packed in quantities of 2 kg and 50 kg.

## **7. MARKING**

**7.1** The packages containing washers shall be marked with the size and manufacturer's name or trade-mark.

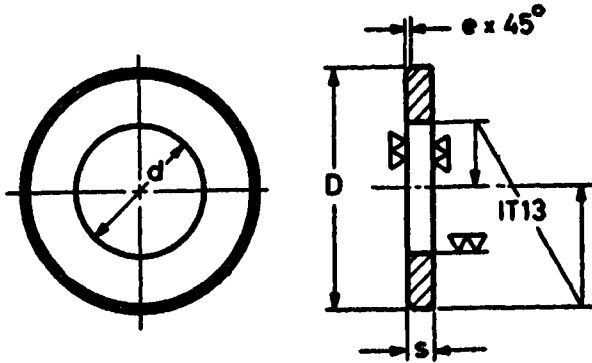
### **7.2** BIS Certification Marking

The product may also be marked with Standard Mark.

**7.2.1** The use of the Standard Mark is governed by the provision of Bureau of Indian Standards Act, 1986 and the Rules and Regulations made thereunder. The details of conditions under which the licence for the use of Standard Mark may be granted to manufacturers or producers may be obtained from the Bureau of Indian Standards.

**TABLE 1 DIMENSIONS FOR MACHINED WASHERS**  
(Class 4.1)

All dimensions in millimetres.



Size $d$ H12*	$D$		$s$		$s$ Nom	FOR BOLT OR SCREW SIZE
	Basic	Tol	Basic	Tol		
1.7	4	+0 -0.3	0.3	$\pm 0.1$	0.1	M1.6
(2)	5	+0 -0.3	0.3	$\pm 0.1$	0.1	(M1.8)
2.2	5	+0 -0.3	0.3	$\pm 0.1$	0.1	M2
(2.4)	6	+0 -0.3	0.5	$\pm 0.1$	0.2	(M2.2)
2.7	6.5	+0 -0.3	0.5	$\pm 0.1$	0.2	M2.5
3.2	7	+0 -0.3	0.5	$\pm 0.1$	0.2	M3
(3.7)	8	+0 -0.3	0.8	$\pm 0.1$	0.3	(M3.5)
4.3	9	+0 -0.3	0.8	$\pm 0.1$	0.3	M4
(4.8)	10	+0 -0.3	1.0	$\pm 0.1$	0.4	(M4.5)

(Continued)

NOTE — Sizes in brackets are of second preference.

\*See IS : 919 - 1963 'Recommendations for limits and fits for engineering (revised)'.

TABLE 1 DIMENSIONS FOR MACHINED WASHERS — *Contd*

Size <i>d</i> H12*	<i>D</i>		<i>s</i>		<i>e</i> <i>Nom</i>	FOR BOLT OR SCREW SIZE
	Basic	Tol	Basic	Tol		
5.3	10	+0 -0.3	1.0	±0.1	0.4	M5
6.4	12.5	+0 -0.4	1.6	±0.2	0.6	M6
(7.4)	14	+0 -0.4	1.6	±0.2	0.6	(M7)
8.4	17	+0 -0.4	1.6	±0.2	0.6	M8
10.5	21	+0 -0.5	2	±0.2	0.6	M10
13	24	+0 -0.5	2.5	±0.3	0.6	M12
(15)	28	+0 -0.5	2.5	±0.3	0.6	(M14)
17	30	+0 -0.5	3	±0.3	0.6	M16
(19)	34	+0 -0.8	3	±0.3	1.0	(M18)
21	37	+0 -0.8	3	±0.3	1.0	M20
(23)	39	+0 -0.8	3	±0.3	1.0	M22
25	44	+0 -0.8	4	±0.3	1.0	M24
(28)	50	+0 -0.8	4	±0.3	1.0	(M27)
31	56	+0 -1.0	4	±0.3	1.0	M30

(Continued)

Note — Sizes in brackets are of second preference.

\*See IS : 919-1963 'Recommendations for limits and fits for engineering (revised)'.

TABLE 1 DIMENSIONS FOR MACHINED WASHERS — *Contd*

Size of H12*	D		s		e Nom	FOR BOLT OR SCREW SIZE
	Basic	Tol	Basic	Tol		
(34)	60	+0 -1.0	5	±0.6	1.0	(M33)
37	66	+0 -1.0	5	±0.6	1.6	M36
(40)	72	+0 -1.0	6	±0.6	1.6	(M39)
43	78	+0 -1.0	7	±1.0	1.6	M42
(46)	85	+0 -1.5	7	±1.0	1.6	(M45)
50	92	+0 -1.5	8	±1.0	1.6	M48
(54)	98	+0 -1.5	8	±1.0	1.6	(M52)
58	105	+0 -1.5	9	±1.0	1.6	M56
(62)	110	+0 -1.5	9	±1.0	2.0	(M60)
66	115	+0 -1.5	9	±1.0	2.0	M64
(70)	120	+0 -1.5	10	±1.0	2.0	(M68)
74	125	+0 -1.8	10	±1.0	2.0	M72
(78)	135	+0 -1.8	10	±1.0	2.5	(M76)

(Continued)

NOTE — Sizes in brackets are of second preference.

\*See IS : 919 - 1963 'Recommendations for limits and fits for engineering (revised)'.



TABLE 1 DIMENSIONS FOR MACHINED WASHERS — *Contd*

Size d H12*	D		s		e Nom	FOR BOLT OR SCREW SIZE
	Basic	Tol	Basic	Tol		
82	140	+0 -1.8	12	±1.2	2.5	M80
(87)	145	+0 -1.8	12	±1.2	2.5	(M85)
93	160	+0 -1.8	12	±1.2	3.0	M90
(98)	165	+0 -1.8	12	±1.2	3.0	(M95)
104	175	+0 -1.8	14	±1.2	3.0	M100
(109)	180	+0 -1.8	14	±1.2	3.0	(M105)
114	185	+0 -2	14	±1.2	3.0	M110
(119)	200	+0 -2	14	±1.2	3.0	(M115)
(124)	210	+0 -2	16	±1.2	3.0	(M120)
129	220	+0 -2	16	±1.2	3.0	M125
(134)	230	+0 -2	16	±1.2	3.0	(M130)
144	240	+0 -2	18	±1.2	4.0	M140
(155)	250	+0 -2	18	±1.2	4.0	(M150)

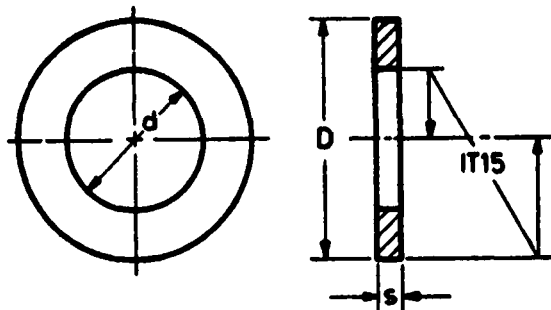
**NOTE** — Sizes in brackets are of second preference.

\*See IS : 919 - 1963 'Recommendations for limits and fits for engineering (revised) '.

**TABLE 2 DIMENSIONS FOR PUNCHED WASHERS, TYPE A,  
FOR HEXAGONAL BOLTS AND SCREWS**

(Classes 4.1 and 4.2)

All dimensions in millimetres.



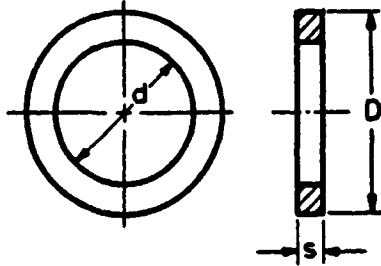
Size <i>d</i>	<i>D</i> <i>Nom</i>	<i>s</i> <i>Nom</i>	FOR BOLT OR SCREW SIZE
1.8	4	0.4	M1.6
(2.1)	5	0.4	(M1.8)
2.4	5	0.4	M2
(2.6)	6	0.5	(M2.2)
2.9	6.5	0.5	M2.5
3.4	7	0.5	M3
(4.0)	8	0.8	(M3.5)
4.5	9	0.8	M4
(5.0)	10	1	(M4.5)
5.5	10	1	M5
6.6	12.5	1.6	M6
(7.6)	14	1.6	(M7)
9	17	1.6	M8
11	21	2	M10
14	24	2.5	M12
(16)	28	2.5	(M14)
18	30	3.15	M16
(20)	31	3.15	(M18)
22	37	3.15	M20
(24)	39	3.15	(M22)
26	44	4	M24
(30)	50	4	(M27)
33	56	4	M30
(36)	60	5	(M33)
39	66	5	M36
(42)	72	6	(M39)
45	78	6	M42
(48)	85	8	(M45)
52	92	8	M48

NOTE — Sizes in brackets are of second preference.

**TABLE 3 DIMENSIONS FOR PUNCHED WASHERS, TYPE B,  
FOR ROUND AND CHEESE HEAD SCREWS**

(Clauses 4.1 and 4.2)

All dimensions in millimetres.



Size <i>d</i>	<i>D</i> Nom	<i>s</i> Nom	FOR SCREW SIZE
1.8 (2.1) 2.4	3.5 3.5 4.5	0.4 0.4 0.4	M1.6 (M1.8) M2
(2.6) 2.9 3.4	4.5 5.0 6.0	0.5 0.5 0.5	(M2.2) M2.5 M3
(4.0) 4.5 (5.0)	7.0 8.0 9.0	0.5 0.8 0.8	(M3.5) M4 (M4.5)
5.5 6.6 (7.6)	9.5 11 13	1.0 1.6 1.6	M5 M6 (M7)
9 11 14	14 18 20	1.6 2 2.5	M8 M10 M12
(16) 18 (20)	24 27 30	2.5 3.15 3.15	(M14) M16 (M18)
22	33	3.15	M20

NOTE — Sizes in brackets are of second preference.

## BUREAU OF INDIAN STANDARDS

### **Headquarters:**

Manak Bhavan, 9 Bahadur Shah Zafar Marg, NEW DELHI 110002

Telephones 323 0131, 323 3375, 323 9402 Fax + 91 011 3234062, 3239399, 3239382

E - Mail bis@vsnl.com Website <http://www.bis.org.in>

### **Central Laboratory:**

Plot No 20/9, Site IV, Sahibabad Industrial Area, Sahibabad 201010

Telephone

477 0032

### **Regional Offices:**

Central Manak Bhavan, 9 Bahadur Shah Zafar Marg, NEW DELHI 110002

323 76 17

\*Eastern 1/14 CIT Scheme VII, VI P Road, Kankurgachi, CALCUTTA 700054

337 86 62

Northern SCO 335-336, Sector 34-A, CHANDIGARH 160022

60 38 43

Southern C I T Campus, IV Cross Road, CHENNAI 600113

254 13 15

†Western Manakalaya, E9, MIDC, Behind Marol Telephone Exchange,  
Andheri (East), MUMBAI 400093

832 92 95

### **Branch Offices:**

'Pushpak', Nurmohamed Shaikh Marg, Khanpur, AHMEDABAD 380001

550 13 48

Peenya Industrial Area, 1st Stage, Bangalore-Tumkur Road,  
BANGALORE 560058

339 49 55

Commercial-cum-Office Complex, Opp Dushera Maidan, E-5 Arera Colony,  
Bittan Market, BHOPAL 462016

72 34 52

62-63, Ganga Nagar, Unit VI, BHUBANESHWAR 751001

40 36 27

5th Floor, Kova Towers, 44 Bala Sundaram Road, COIMBATORE 641018

21 88 35

Plot No 58, Neelam Bata Road, NIT, FARIDABAD 121001

542 82 61

Savitri Complex, 116 G T Road, GHAZIABAD 201001

471 19 98

53/5 Ward No 29, R G Barua Road, 5th By-lane, Apurba Sinha Path,  
GUWAHATI 781003

54 11 37

5-8-56C, L N Gupta Marg, Nampally Station Road, HYDERABAD 500001

320 10 84

E-52, Chitaranjan Marg, C-Scheme, JAIPUR 302001

37 38 79

117/418 B, Sarvodaya Nagar, KANPUR 208005

21 68 76

Seth Bhawan, 2nd Floor, Behind Leela Cinema, Naval Kishore Road,  
LUCKNOW 226001

21 89 23

NIT Building, Second Floor, Gokulpat Market, NAGPUR 440010

52 51 71

Mahabir Bhawan, 1st Floor, Ropar Road, NALAGARH 174101

2 14 51

Patliputra Industrial Estate, PATNA 800013

26 28 08

First Floor, Plot Nos 657-660, Market Yard, Gultekdi, PUNE 411037

426 86 59

'Sahajanand House' 3rd Floor, Bhaktinagar Circle, 80 Feet Road,  
RAJKOT 360002

37 82 51

T C No 14/1421, University PO Palayam, THIRUVANANTHAPURAM 695034

32 21 04

\*Sales Office is at 5 Chowringhee Approach, P.O Princep Street,  
CALCUTTA 700072

237 10 85

†Sales Office is at Novelty Chambers, Grant Road, MUMBAI 400007

309 65 28